

ComAnt[®] Communications Antennas

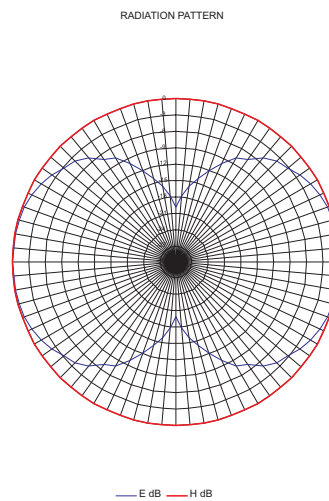
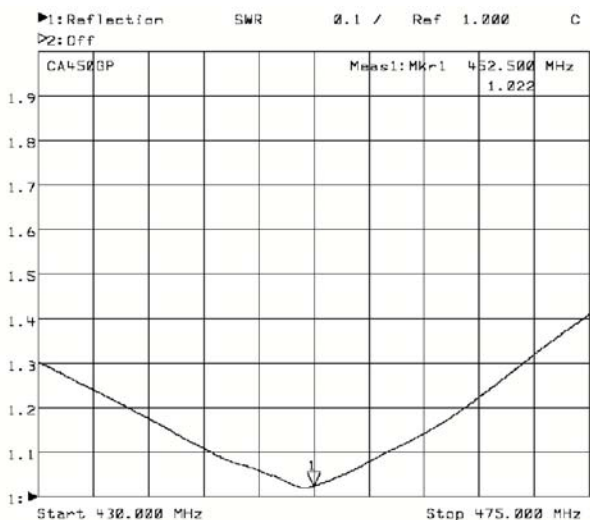
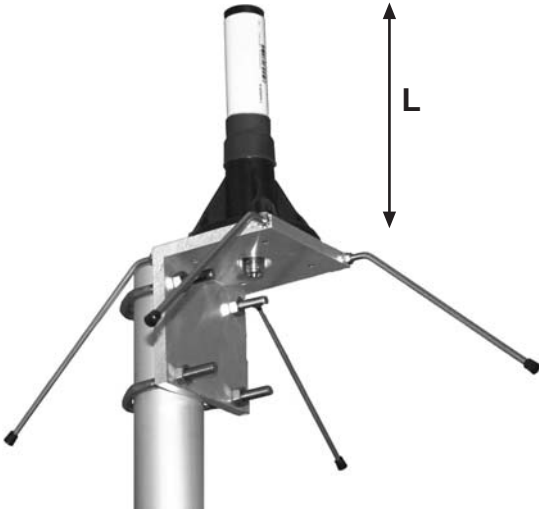
FREQUENCY INDEPENDENT DATA

Description: omnidirectional ground plane
 Frequency: 68-77 MHz, 77-81 MHz,
 135-145 MHz, 144-156 MHz,
 154-166 MHz, 163-177 MHz,
 380-430 MHz, 430-475 MHz,
 830-890 MHz, 890-960 MHz
 2300-2500 MHz

Impedance: 50 ohm
 Gain: 2 dBi
 Polarization: vertical
 Connector: N-female/TNC-female
 VSWR: < 1.5
 Radome: UV resistant
 fiberglass, white / PP, black
 PU foam filling

Radiator: copper
 Attachment: Ø 35-60 mm, aluminium alloy
 bracket, stainless steel V-
 bolts and self locking nuts

Lightning protection: DC-short circuited, -grounded
 Temperature: -40° - +80°C
 IP: 67



CAGP OMNIDIRECTIONAL GROUND PLANE